

# **Standard construction dimensions according to PN 10 - 100 / class 150 - 900**

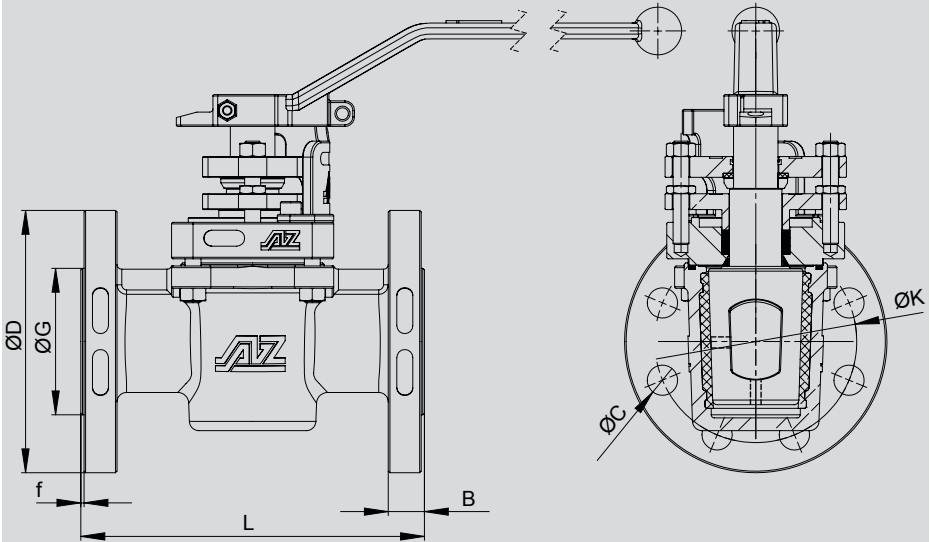
## Notes

- only applies to standard flange types (not RTJ, LG etc.)
- for housings in GGG 40.3, the flange thickness + 2mm applies as of DN 40
- Dimensions are in accordance with EN 1092-1-2007; EN 558-1-2008 and ASME B16.10-2000; ASME B16.5-2004
- for geometric reasons, threads are used in the flange bores in a few cases

\* Flange thickness according to ASME B16.5-2003 Tab.9 (only CLASS150 and 1/2" – 3")

\*\* Flange thickness not including height of sealing strip

Z Number of bores



| NPS/ DN | PN class | L [mm]    | øD [mm] | B [mm]       | øK [mm] | Z | øC [mm] | øG [mm] | f [mm] |
|---------|----------|-----------|---------|--------------|---------|---|---------|---------|--------|
| 1/2"    | 150      | 108       | 90      | 11,6 / 10*   | 60,3    | 4 | 15,7    | 34,9    | 2      |
|         | 300      | 140       | 95      | 14,7         | 66,7    | 4 | 15,7    | 34,9    | 2      |
|         | 600      | 165       | 95      | 14,3**       | 66,7    | 4 | 15,7    | 34,9    | 7      |
|         | 900      |           | 120     | 22,3**       | 82,6    | 4 | 22,3    | 34,9    | 7      |
| 15      | 10-40    | 130       | 95      | 16           | 65      | 4 | 14      | 45      | 2      |
|         | 63       | 130 / 210 | 105     | 20           | 75      | 4 | 14      | 45      | 2      |
|         | 100      | 130 / 210 | 105     | 20           | 75      | 4 | 14      | 45      | 2      |
| 3/4"    | 150      | 117       | 100     | 13,2 / 10,9* | 69,9    | 4 | 15,7    | 42,9    | 2      |
|         | 300      | 152       | 115     | 16,3         | 82,6    | 4 | 19,1    | 42,9    | 2      |
|         | 600      | 190       | 115     | 15,9**       | 82,6    | 4 | 19,1    | 42,9    | 7      |
|         | 900      |           | 130     | 25,4**       | 88,9    | 4 | 22,3    | 42,9    | 7      |
| 20      | 10-40    | 150       | 105     | 18           | 75      | 4 | 14      | 58      | 2      |
|         | 63       | 150       | 130     | 22           | 90      | 4 | 18      | 58      | 2      |
|         | 100      | 150       | 130     | 22           | 90      | 4 | 18      | 58      | 2      |
| 1"      | 150      | 127       | 110     | 14,7 / 11,6* | 79,4    | 4 | 15,7    | 50,8    | 2      |
|         | 300      | 165       | 125     | 17,9         | 88,9    | 4 | 19,1    | 50,8    | 2      |
|         | 600      | 216       | 125     | 17,5**       | 88,9    | 4 | 19,1    | 50,8    | 7      |
|         | 900      | 254       | 150     | 28,6**       | 101,6   | 4 | 25,4    | 50,8    | 7      |
| 25      | 10-40    | 160       | 115     | 18           | 85      | 4 | 14      | 68      | 2      |
|         | 63       | 160 / 230 | 140     | 24           | 100     | 4 | 18      | 68      | 2      |
|         | 100      | 160 / 230 | 140     | 24           | 100     | 4 | 18      | 68      | 2      |
| 1 1/4"  | 150      | 140       | 115     | 16,3 / 13,2* | 88,9    | 4 | 15,7    | 63,5    | 2      |
|         | 300      | 178       | 135     | 19,5         | 98,4    | 4 | 19,1    | 63,5    | 2      |
|         | 600      | 229       | 135     | 20,7**       | 98,4    | 4 | 19,1    | 63,5    | 7      |
|         | 900      | 279       | 160     | 28,6**       | 111,1   | 4 | 25,4    | 63,5    | 7      |
| 32      | 10-40    | 180       | 140     | 18           | 100     | 4 | 18      | 78      | 2      |
|         | 63       | 180       | 155     | 24           | 110     | 4 | 22      | 78      | 2      |
|         | 100      | 180       | 155     | 24           | 110     | 4 | 22      | 78      | 2      |
| 1 1/2"  | 150      | 165       | 125     | 17,9 / 14,7* | 98,4    | 4 | 15,7    | 73      | 2      |
|         | 300      | 190       | 155     | 21,1         | 114,3   | 4 | 22,3    | 73      | 2      |
|         | 600      | 241       | 155     | 22,3**       | 114,3   | 4 | 22,4    | 73      | 7      |
|         | 900      | 305       | 180     | 31,8**       | 123,8   | 4 | 28,4    | 73      | 7      |
| 40      | 10-40    | 200       | 150     | 18           | 110     | 4 | 18      | 88      | 3      |
|         | 63       | 200       | 170     | 26           | 125     | 4 | 22      | 88      | 3      |
|         | 100      | 200       | 170     | 26           | 125     | 4 | 22      | 88      | 3      |

| NPS/ DN | PN class | L [mm] | øD [mm] | B [mm]       | øK [mm] | Z  | øC [mm] | øG [mm] | f [mm] |
|---------|----------|--------|---------|--------------|---------|----|---------|---------|--------|
| 2"      | 150      | 178    | 150     | 19,5 / 16,3* | 120,7   | 4  | 19,1    | 92,1    | 2      |
|         | 300      | 216    | 165     | 22,7         | 127     | 8  | 19,1    | 92,1    | 2      |
|         | 600      | 292    | 165     | 25,4**       | 127     | 8  | 19,1    | 92,1    | 7      |
|         | 900      | 368    | 215     | 38,1**       | 165,1   | 8  | 25,4    | 92,1    | 7      |
| 50      | 10-40    | 230    | 165     | 20           | 125     | 4  | 18      | 102     | 3      |
|         | 63       | 230    | 180     | 26           | 135     | 4  | 22      | 102     | 3      |
|         | 100      | 230    | 195     | 28           | 145     | 4  | 26      | 102     | 3      |
| 2 1/2"  | 150      | 190    | 180     | 22,7 / 17,9* | 139,7   | 4  | 19,1    | 104,8   | 2      |
|         | 300      | 241    | 190     | 25,9         | 149,2   | 8  | 22,3    | 104,8   | 2      |
|         | 600      | 330    | 190     | 28,6**       | 149,2   | 8  | 22,3    | 104,8   | 7      |
|         | 900      | 419    | 245     | 41,3**       | 190,5   | 8  | 28,4    | 104,8   | 7      |
| 65      | 10/16    | 290    | 185     | 18           | 145     | 4  | 18      | 122     | 3      |
|         | 25/40    | 290    | 185     | 22           | 145     | 8  | 18      | 122     | 3      |
|         | 63       |        | 205     | 26           | 160     | 8  | 22      | 122     | 3      |
|         | 100      |        | 220     | 30           | 170     | 8  | 26      | 122     | 3      |
| 3"      | 150      | 203    | 190     | 24,3 / 19,5* | 152,4   | 4  | 19,1    | 127     | 2      |
|         | 300      | 282    | 210     | 29           | 168,3   | 8  | 22,3    | 127     | 2      |
|         | 600      | 356    | 210     | 31,8**       | 168,3   | 8  | 22,3    | 127     | 7      |
|         | 900      | 381    | 240     | 38,1**       | 190,5   | 8  | 25,4    | 127     | 7      |
| 80      | 10-40    | 310    | 200     | 24           | 160     | 8  | 18      | 138     | 3      |
|         | 63       | 310    | 215     | 28           | 170     | 8  | 22      | 138     | 3      |
|         | 100      | 310    | 230     | 32           | 180     | 8  | 26      | 138     | 3      |
| 4"      | 150      | 229    | 230     | 24,3         | 190,5   | 8  | 19,1    | 157,2   | 2      |
|         | 300      | 305    | 255     | 32,2         | 200     | 8  | 22,3    | 157,2   | 2      |
|         | 600      | 432    | 275     | 38,1**       | 215,9   | 8  | 25,4    | 157,2   | 7      |
|         | 900      | 457    | 290     | 44,5**       | 235     | 8  | 31,7    | 157,2   | 7      |
| 100     | 10/16    | 350    | 220     | 20           | 180     | 8  | 18      | 158     | 3      |
|         | 25/40    | 350    | 235     | 24           | 190     | 8  | 22      | 162     | 3      |
|         | 63       | 350    | 250     | 30           | 200     | 8  | 26      | 162     | 3      |
|         | 100      | 350    | 265     | 36           | 210     | 8  | 30      | 162     | 3      |
| 5"      | 150      |        | 255     | 24,3         | 215,9   | 8  | 22,3    | 185,7   | 2      |
|         | 300      |        | 280     | 35,4         | 235     | 8  | 22,3    | 185,7   | 2      |
| 125     | 10/16    | 325    | 250     | 22           | 210     | 8  | 18      | 188     | 3      |
|         | 25/40    | 325    | 270     | 26           | 220     | 8  | 26      | 188     | 3      |
| 6"      | 150      | 267    | 280     | 25,9         | 241,3   | 8  | 22,3    | 215,9   | 2      |
|         | 300      | 403    | 320     | 37           | 269,9   | 12 | 22,3    | 215,9   | 2      |
|         | 600      | 559    | 355     | 47,7**       | 292,1   | 12 | 28,4    | 215,9   | 7      |
|         | 900      | 610    | 380     | 55,6**       | 317,5   | 12 | 31,7    | 215,9   | 7      |
| 150     | 10/16    | 350    | 285     | 22           | 240     | 8  | 22      | 212     | 3      |
|         | 25/40    | 350    | 300     | 28           | 250     | 8  | 26      | 218     | 3      |
|         | 63       | 350    | 345     | 36           | 280     | 8  | 33      | 218     | 3      |
|         | 100      | 550    | 355     | 44           | 290     | 12 | 33      | 218     | 3      |

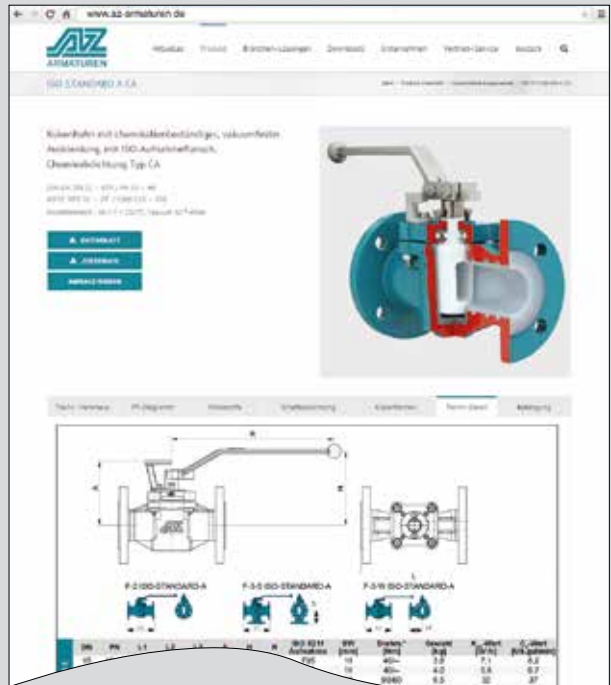


| NPS/ DN | PN class | L [mm] | ∅D [mm] | B [mm] | ∅K [mm] | Z  | ∅C [mm] | ∅G [mm] | f [mm] |
|---------|----------|--------|---------|--------|---------|----|---------|---------|--------|
| 18"     | 150      | 864    | 635     | 38,1   | 577,9   | 16 | 31,8    | 533,4   | 2      |
|         | 300      | 914    | 710     | 58,8   | 628,6   | 24 | 35      | 533,4   | 2      |
| 450     | 10       | 650    | 615     | 28     | 565     | 20 | 26      | 532     | 4      |
|         | 16       | 650    | 640     | 36     | 585     | 20 | 30      | 550     | 4      |
|         | 25       | 650    | 670     | 46     | 600     | 20 | 36      | 555     | 4      |
|         | 40       | 650    | 685     | 57     | 610     | 20 | 39      | 560     | 4      |
| 20"     | 150      | 914    | 700     | 41,3   | 635     | 20 | 31,8    | 584,2   | 2      |
|         | 300      | 991    | 775     | 62     | 685,8   | 24 | 35      | 584,2   | 2      |
| 500     | 10       | 700    | 670     | 28     | 620     | 20 | 26      | 585     | 4      |
|         | 16       | 700    | 715     | 38     | 650     | 20 | 33      | 610     | 4      |
|         | 25       | 700    | 730     | 48     | 660     | 20 | 36      | 615     | 4      |
|         | 40       | 700    | 755     | 57     | 670     | 20 | 42      | 615     | 4      |

## Visit our website [www.az-armaturen.de](http://www.az-armaturen.de)

You will find all the details on the new AZ website for PCs, MACs and smartphones

- Complete product selection
- Classification of accessories
- Query tool
- Data sheet download
- Newsletter registration





# Important Materials

## Ductile cast iron

|           |                  |                   |
|-----------|------------------|-------------------|
| ENJS 1049 | EN-GJS-400-18-LT | Gr 60-40-18/ A395 |
|-----------|------------------|-------------------|

## Heat-resistant steel casting

|        |         |          |
|--------|---------|----------|
| 1.0619 | GP240GH | WCB/A216 |
|--------|---------|----------|

## Unalloyed stainless steel casting (low Temp.)

|        |        |               |
|--------|--------|---------------|
| 1.1138 | G21Mn5 | LCC(LCB)/A352 |
|--------|--------|---------------|

## Austenitic steel casting

|        |               |          |
|--------|---------------|----------|
| 1.4308 | GX5CrNi 19-10 | CF8/A351 |
|--------|---------------|----------|

|        |               |          |
|--------|---------------|----------|
| 1.4309 | GX2CrNi 19-11 | CF3/A351 |
|--------|---------------|----------|

|        |                   |           |
|--------|-------------------|-----------|
| 1.4408 | GX5CrNiMo 19-11-2 | CF8M/A351 |
|--------|-------------------|-----------|

|        |                   |           |
|--------|-------------------|-----------|
| 1.4409 | GX2CrNiMo 19-11-2 | CF3M/A351 |
|--------|-------------------|-----------|

|        |                  |            |
|--------|------------------|------------|
| 1.4469 | GX2CrNiMoN26-7-4 | CE3MN/A890 |
|--------|------------------|------------|

|            |                    |           |
|------------|--------------------|-----------|
| 1.4500 (S) | GX7NiCrMoCuNb25-20 | CN7M/A351 |
|------------|--------------------|-----------|

|        |                     |             |
|--------|---------------------|-------------|
| 1.4538 | GX1NiCrMoCuN25-20-5 | (Uranus B6) |
|--------|---------------------|-------------|

|        |               |           |
|--------|---------------|-----------|
| 1.4552 | GX5CrNiNb18-9 | CF8C/A351 |
|--------|---------------|-----------|

## Austenitic-ferritic stainless steel (duplex)

|        |                  |            |
|--------|------------------|------------|
| 1.4470 | GX2CrNiMoN22-5-3 | CD3MN/A890 |
|--------|------------------|------------|

|        |                      |                   |
|--------|----------------------|-------------------|
| 1.4517 | GX3NiCrMoCuN26-6-3-3 | CD4MCUN/A995/A890 |
|--------|----------------------|-------------------|

## Nickel alloy with molybdenum and chrome

|        |                  |            |
|--------|------------------|------------|
| 2.4602 | NiCr21Mo14W/HC22 | CX2MW/A494 |
|--------|------------------|------------|

|        |            |          |
|--------|------------|----------|
| 2.4617 | NiMo28/HB2 | N3M/A494 |
|--------|------------|----------|

|        |            |          |
|--------|------------|----------|
| 2.4685 | GNiMo28/HB | N7M/A494 |
|--------|------------|----------|

|        |                        |           |
|--------|------------------------|-----------|
| 2.4816 | NiCr15Fe / Inconel 600 | CY40/A494 |
|--------|------------------------|-----------|

|        |                   |          |
|--------|-------------------|----------|
| 2.4819 | NiMo16Cr15W/HC276 | (CW12MW) |
|--------|-------------------|----------|

## Nickel alloy with copper

|        |                      |              |
|--------|----------------------|--------------|
| 2.4365 | G-NiCu30Nb/Monel 400 | M35.1/2 A494 |
|--------|----------------------|--------------|

## Special materials

|        |               |            |
|--------|---------------|------------|
| 2.4170 | G-Ni95/Nickel | CZ100/A494 |
|--------|---------------|------------|

|        |                |             |
|--------|----------------|-------------|
| 3.7035 | Titan/Titanium | Grade 2/B37 |
|--------|----------------|-------------|

|  |           |                  |
|--|-----------|------------------|
|  | Zirconium | ZR702/ZR705/B752 |
|--|-----------|------------------|



AZ-Armaturen GmbH  
Waldstraße 7  
D-78087 Mönchweiler  
Telefon: +49 (0) 7721 7504-0  
Telefax: +49 (0) 7721 7504-13  
info@az-armaturen.de  
www.az-armaturen.de